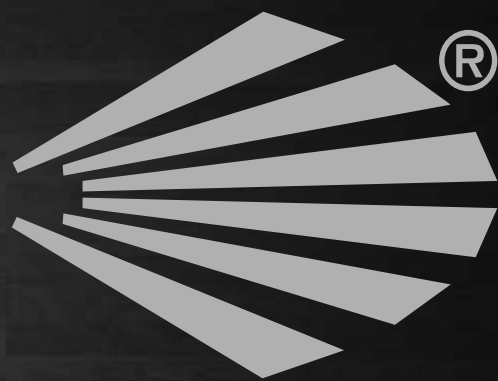


SAGOLA

an Elcometer company



PROFESSIONAL PAINTING EQUIPMENTS FOR WOOD

MADE IN
SPAIN

w w w . s a g o l a . c o m

XX41000 SERIES

deposit
650 ml
capacity

High Quality Finishes
Anodized forged aluminum body
Machining of high technology
Ultra-ergonomic design

Maximum robustness and reliability. Ideal for painting large areas with extreme finishing in sectors such as automotive, industrial vehicles and all types of industrial machinery.

Nuevo body design, lightweight and ergonomic. Anodized forged aluminum body. High corrosion protection. Maximum durability and minimum maintenance.

There are no gaskets in couplings between air and paint.

VERSION	CODE	APPLICATION
1.30 [96]	10142012	Fluid finishes, metallics, dyes
1.40 [96]	10142001	High quality finishes
1.60 [96]	10142002	General finishes
1.80 [96]	10142003	Primers, fonds
2.20 [64S]	10142011	High viscosity products
1.30 [XT01]	10142004	Dyes
1.40 [XT01]	10142005	General finishes
1.60 [XT01]	10142006	High speed finishes
1.30 [XT03]	10142007	Dyes
1.40 [XT03]	10142008	General finishes
1.60 [XT03]	10142009	High speed finishes
1.80 [XT03]	10142010	Primers, fonds

3300 GTO

Finish
MATTE
BODY

New 3300 GTO spraygun
High Quality. Versatile, light
Wide range of air caps, great versatility

New 3300 GTO spray gun. SAGOLA renews and improves the mid-high range of spray guns. Forged and anodized aluminum body. This is a top level product with a magnificent price-quality ratio.

Minimum maintenance. No gaskets between air and paint. High-end aluminium aircaps. High quality chromed-plating. Time and paint consumption saving.

Complying with the strictest standards on solvent emissions.

EPA aircap: minimum air consumption with high quality application.

HVLP aircap: maximum paint savings and minimum mist.

VERSION	CODE	APPLICATION
1.30 [EVO]	10141559	Dyes
1.40 [EVO]	10141560	High gloss finishes. Lacquers
1.60 [EVO]	10141561	High speed finishes
1.40 [HVLP]	10141555	Finishes, Dyes
1.60 [HVLP]	10141556	General finishes
1.80 [HVLP]	10141557	Primers, fonds
1.40 [EPA]	10141562	Finishes, Dyes
1.60 [EPA]	10141563	General finishes
1.80 [EPA]	10141564	Primers
2.20 [64S]	10141572	Primers, waterborne clearcoats
2.80 [62S]	10141574	Gun-applied mastics. Polyester and cast iron effect



MADE IN
SPAIN

Classic Pro XD

New matt chromed body
Low air consumption
Maximum robustness and reliability

New Body. Maximum ergonomics. Single-axis design, less parts. Aluminum regulators. Prepared to work easily even with gloves. Conventional system. High speed. HVLP system, saves on paint. Speed and ease of application.

VERSION	CODE	APPLICATION
1.40 [21]	10141607	Finishes
1.60 [21]	10141606	Finishes and primers
1.80 [21]	10141602	Primers, fonds
2.00 [25]	10141604	Primers. High viscosity
2.50 [36]	10141603	High viscosity products
2.80 [28]	10141605	Gun-applied mastics
1.40 [HVLP]	10141608	Finishes
1.60 [HVLP]	10141609	Finishes and primers
1.80 [HVLP]	10141610	Primers. High viscosity



deposit
500 ml
capacity

mini Xtreme

Small and light
Perfect ergonomics

Perfect for retouching small and irregular parts. Highest quality finishes. Solid: manufactured in forged aluminium. Perfect for dyes and varnishes. 500 c.c. deposit. Specific high-transfer aircaps with an exclusive air diffusion system to achieve a smooth spraying with low pressure.



VERSION	CODE	APPLICATION
0.80 [miniEPA]	10111806	Fine feathering, basecoats
1.00 [miniEPA]	10111807	Retouching, feathering
1.20 [miniEPA]	10111808	Extremely high quality finishes
1.00 [miniHVLP]	10111809	Fine feathering
1.20 [miniHVLP]	10111810	Retouching, feathering
1.30 [miniHVLP]	10111804	Especially for dyes
1.40 [miniHVLP]	10111805	Finishes, dyes
0.60 [miniTECH]	10111811	Primers. Low viscosity products
1.00 [miniTECH]	10111812	Lettering and small retouching



Round jet
Application of low
viscosity products.

475 XTECH

Atomization quality
Reduced dimensions
Deposit of 125 c.c.
Special feathering,
retouching and painting
of parts.

Ideal for feathering, small retouches, patches and/or repainting small parts. Comes with a 125 c.c. high quality deposit with paint filter.

Large variety of nozzle & needle and solutions:

Special R5 Aircap: to obtain the maximum accuracy in the finest feathering. Definition and regulation similar to an airbrush. Nozzles & needle 0.5 mm.

05 Aircap: highest quality atomisation for feathering and retouch. Nozzles & needle 0.5 and 0.8 mm.

10 Aircap: fast and versatile. Dyes and varnishes. Nozzles & needle 1.0 mm.

VERSION	CODE
0.50 [05]	20140801
0.80 [05]	20140802
1.00 [10]	20140803
0.50 [R5]	20140804



depósito
125 ml
capacidad



R5 Aircap

ACCESSORIES

Gravity deposits and filters

CODE	VERSION	SPRAY GUN MODEL
56418084	0.650 L deposit	4100 Xtreme/3300 GTO/Classic Pro XD
56418080	0.500 L deposit	Mini Xtreme
56418081	0.125 L deposit	Mini Xtreme, 475 XTECH
56418017	10 filter kit - 0.650 L	4100 Xtreme/3300 GTO/Classic Pro XD



Pressurizer kit
Gravity spray guns

Gravity deposits pressurizing kit. Gravity cup pressure kit for high viscosity materials spraying. Non-return valve included.

CODE
56418513



X4100 SERIES

Ideal for painting large areas, machinery and industrial vehicles

Extra deposit capacity (1 Litre), with double watertight gasket system.
More comfortable painting and less tiredness due to the low gravity center.
High speed application.
Ideal for continuous work sessions and large surfaces.

VERSION	CODE
1.40 [96]	10121001
1.60S [96]	10121006
1.80 [96]	10121003
1.60S [XT01]	10121007
1.80 [XT01]	10121005



**VERSION
SUCTION
X SERIES**

Classic PRO

**New body.
Maximum ergonomics
High spray quality**

The best price-quality ratio in conventional spray guns.
Aluminium regulators.
Single spindle design, which means fewer parts.
One-piece packing nut.
There are no O-rings.
Stainless steel nozzle and needle.

VERSION	CODE
1.60 [21]	10120701
1.80 [21]	10120702



**deposit
1 liter
capacity**

3300 NEW PRESS

Teflon-coated body makes cleaning easy

Spray gun with pressurised deposit, ideal for the application of medium and high viscosity products.

Multiple regulators (fan pattern, flow, product).

Combinations:

2.00 [27] - application of multi-colour paints for the construction industry. Very low air consumption.

2.00 [64] - application of textured effects for industry.

VERSION	CODE
2.00 [27]	10151511
2.00 [64]	10151512



ACCESSORIES

Suction deposits, gaskets and filters

CODE	VERSION	SPRAY GUN MODEL
56418074	Suction Deposit Kit 1 L	4100 Xtreme/Classic Pro
56418014	10 Product filter kit	4100 Xtreme/Classic Pro
56418013	5 Spray Gun Anti-drip Lid Kit	4100 Xtreme/Classic Pro
56418509	Deposits closure washers kit	4100 Xtreme/Classic Pro

Mini XTREME

**VERSION
PRESSURE
XTREME**

**Ideal for line-painting
Perfect ergonomics**

Due to its size it is the perfect spray gun for restricted access areas that require a lot of wrist movement.

It reduces mist, saves paint and perfectly defines the work zone. Adapted to the latest products.

Tested and developed with waterborne products.

VERSION	CODE	APPLICATION
0.80 [miniEPA]	10111904	Feathering, dyes and basecoats
1.00 [miniEPA]	10111905	Highest quality finishes
1.20 [miniEPA]	10111906	Very high speed finishes
0.80 [miniHVLP]	10111901	Especially for dyes
1.00 [miniHVLP]	10111902	Finishes. Low mist
1.20 [miniHVLP]	10111903	Finishes, primers



X4100 SERIES

3300 GTO

**VERSION
PRESSURE
X SERIES**

**Maximum speed,
productivity and ease
of application**

This tool gets a higher product transfer rate than conventional painting systems. It is the perfect spray gun for a high speed topcoats application.

VERSION	CODE	APPLICATION
1.00 [XT01]	10152408	Metalized and basecoats
1.20 [XT01]	10152409	Clearcoats and primers
1.40 [XT01]	10152410	Primers and fillers
1.00 [XT03]	10152406	Basecoats and dyes
1.20 [XT03]	10152407	Finishes and primers



**Suitable for many
application needs
Light and sturdy
High performance**

High application speed. Large fan size. Application of enamels, varnishes, primers and basecoats. Nozzles and needles made of stainless steel. HVLP and EPA systems. Reduce mist and save paint.

VERSION	CODE	APPLICATION
1.00 [EPA]	10152214	Finishes. High quality
1.20 [EPA]	10152215	General finishes
1.40 [EPA]	10152216	Primers
1.00 [HVLP]	10152210	Finishes. Dyes
1.20 [HVLP]	10152211	Finishes and primers
1.40 [HVLP]	10152212	Primers and fonds



Mini XTREME MIX

**MIX
Spray gun
200 bar**

**Functionality, performance
and reduced size. Ideal for
complex jobs.**

A perfect combination of speed and high transfer levels (above 80%) with XTREME systems quality finishes. Designed for durability in time due to its robustness and quality of its components.

VERSION	CODE
11/40	35130201
13/40	35130205



PSAM 104

**Airless spray gun
High pressure**

High pressure spray gun recommended for sandable basecoats and coatings application of medium-high viscosity. High speed application, extremely robust and durable. Both seats and closures are manufactured in Tungsten carbide.

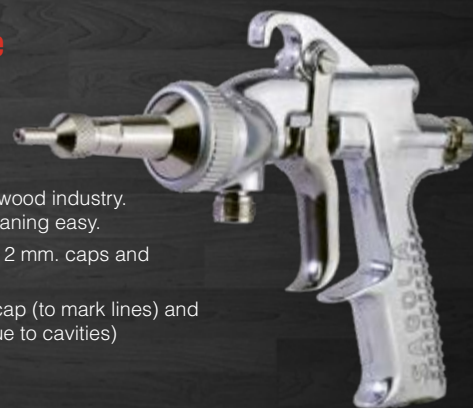
**Adhesives pressure
spray gun**

Cord application of glues and adhesives.

White glue application for the wood industry. Teflon-coated body makes cleaning easy.

Incorporates a series of 1 and 2 mm. caps and product flow regulator.

The 3 mm. aircap, scoring aircap (to mark lines) and 4-aperture aircap (to apply glue to cavities) can be acquired as options.



**CODE
10151401**

**CODE
30170103** Does not incorporate rotating head and nozzle.

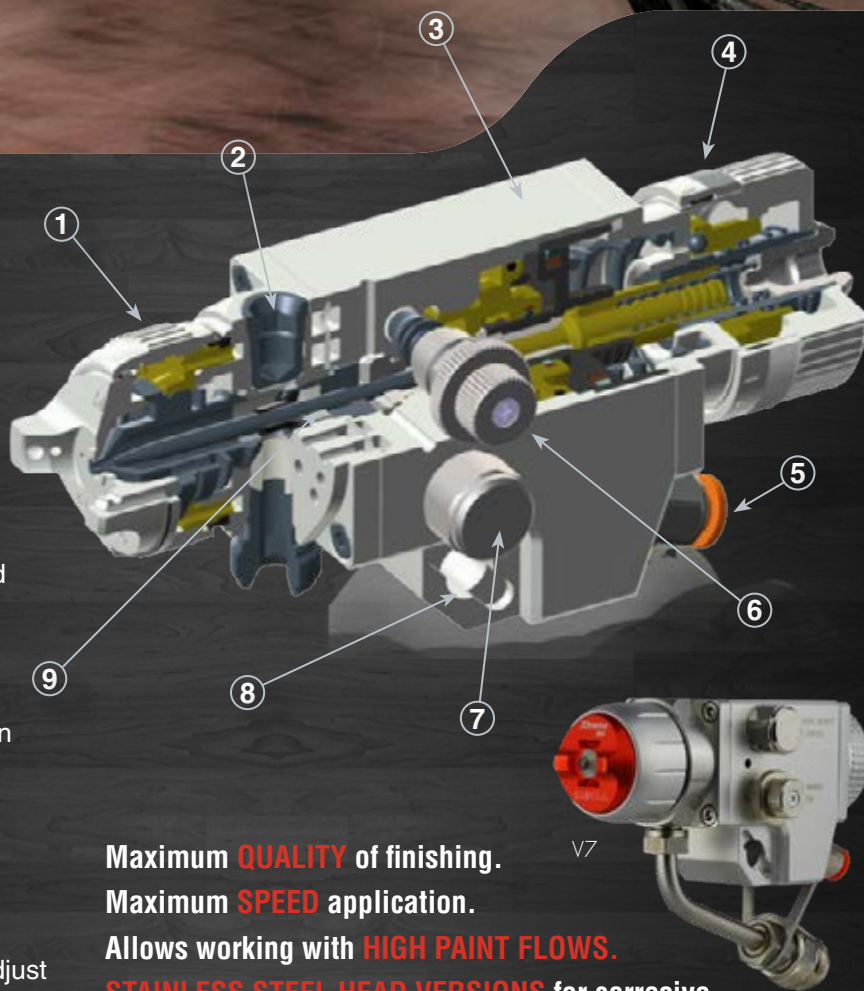
S e r i e s V a u t o m a t i c s

The new V range of automatic spray guns has been designed and manufactured to carry out the very highest quality tasks. This new family of tools aims to cover a wide variety of product applications, including corrosive and abrasive products.

It is designed to work with both waterborne and solvent-based products. Its construction is characterised by the remarkably small number of parts that need maintenance, which makes it extremely reliable, keeping downtime to a minimum.

- 1 Stainless steel nozzle and needle, standard version. (Optional, Tungsten carbide).
- 2 Product recirculation outlet.
- 3 Removable paint chamber separated from the pneumatic zone, with four leak detection orifices. Option 100% Stainless steel.
- 4 Product regulator with free dial to easily adjust all the spray guns on a line to the same starting point.
- 5 Air inlets, piloting and spraying.
- 6 Fan regulator. This regulator allows us to adjust the size of the fan (of the atomisation air).
- 7 Fan control regulator. This regulator controls the quantity and distribution of air between the lugs and central holes, allowing a perfect distribution of the spray pattern independently of the viscosity of the product.
- 8 New mooring and guidance system. This system allows removing and replacing the spray gun from its workstation maintaining its original position and orientation.

Therefore, it completely eliminates the time wasted adjusting the spray gun at its workstation.
- 9 One-piece packing nut without gaskets that require handling.



Maximum **QUALITY** of finishing.

Maximum **SPEED** application.

Allows working with **HIGH PAINT FLOWS**.

STAINLESS STEEL HEAD VERSIONS for corrosive products and tungsten carbide nozzles for abrasives.

Maximum **REDUCTION** in product **CONSUMPTION** and mist.

High **PRODUCTION**, low contamination.

V4 CONVENTIONAL	CODE	V5 HVLP	CODE	V6 EPA	CODE
1.00 [765] Std	10250802	0.80 [500] Std	10210401	0.80 [380] Std	10280101
1.20 [765] Std	10250806	1.00 [500] Std	10210403	1.00 [380] Std	10280102
1.40 [765] Std	10250810	1.20 [500] Std	10210405	1.20 [380] Std	10280103
1.00 [765] Robot	10250832	1.00 [600] Std	10210404	1.40 [380] Std	10280104
1.20 [765] Robot	10250836	1.20 [600] Std	10210406	0.80 [380] Robot	10280111
1.40 [765] Robot	10250840	1.40 [600] Std	10210407	1.00 [380] Robot	10280112
1.40 [20] Std	10250820	0.80 [500] Robot	10210419	1.20 [380] Robot	10280113
1.40 [20] Robot	10250850	1.00 [500] Robot	10210421	1.40 [380] Robot	10280114
1.80 [20] Robot	10250852	1.20 [500] Robot	10210423		
		1.00 [600] Robot	10210422		
		1.20 [600] Robot	10210424		
		1.40 [600] Robot	10210425		
				V7 MIX	CODE
				13/40 Standard	35230101
				13/40 Robot	35230102

Mini V

Automatic gun With internal valve

Automatic gun, small size and high precision.

0.3 – 1.8 Fluid Nozzles.

Mini Xtreme spraying system.

Wide regulation range; paint flow, fan, and pattern shape.

Suitable for small parts painting, profiles and machinery with reduced spaces.

HVLP and EPA high transfer aircaps. New Aerojet aircap for high precision industrial jobs.



Dimensions: 32 x 50 x 90 mm.

Weight: 216 g.

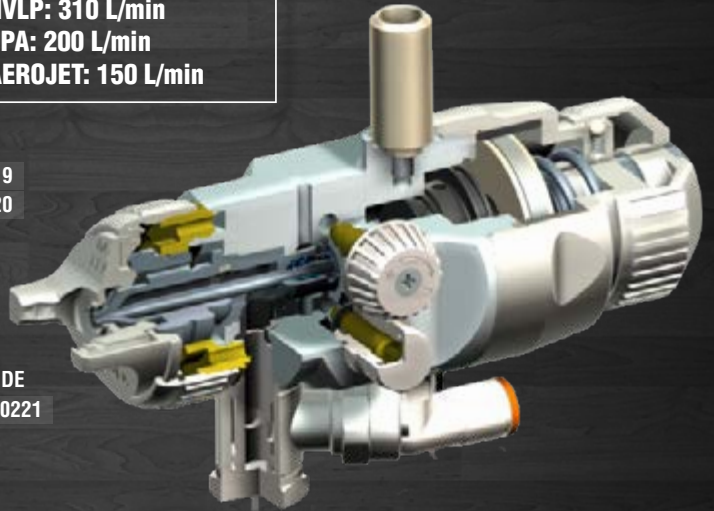
Air consumption:

Mini HVLP: 310 L/min

Mini EPA: 200 L/min

Mini AEROJET: 150 L/min

VERSION	CODE	VERSION	CODE	VERSION	CODE
0.30 [miniHVLP]	10210217	0.30 [miniEPA]	10210218	0.60 [miniTECH]	10210219
0.50 [miniHVLP]	10210208	0.50 [miniEPA]	10210216	1.00 [miniTECH]	10210220
0.80 [miniHVLP]	10210201	0.80 [miniEPA]	10210215		
1.00 [miniHVLP]	10210202	1.00 [miniEPA]	10210209		
1.20 [miniHVLP]	10210203	1.20 [miniEPA]	10210210		
1.30 [miniHVLP]	10210204	1.30 [miniEPA]	10210211		
1.40 [miniHVLP]	10210205	1.40 [miniEPA]	10210212		
1.60 [miniHVLP]	10210206	1.60 [miniEPA]	10210213		
1.80 [miniHVLP]	10210207	1.80 [miniEPA]	10210214		
				VERSION	CODE
				0.50 [miniAEROJET]	10210221



OTHER VERSIONS

4041

Special for finishes

Conventional spray gun ideal for robots and special machinery.

Special nozzles in tungsten carbide for abrasive products.



VERSION	CODE
1.20 [765]	10250305



4041 Mix

Maximum speed of application High paint pressure (30 - 150 bar) Minimum mist

Compact and robust automatic mix system spray guns.

Tungsten Carbide Closures.

VERSION	CODE
11/40	35230401

450 A HVLP

Great product savings

HVLP automatic spray gun which complies with the strictest environmental norms and standards due to its 72% transfer. Constructed especially for automatic systems where a very high rate of open - close cycles is required.

It is also recommended where considerable spray mist reduction is required.

Durable: low maintenance costs.

High production version available.

VERSION	CODE
1.00 [500]	10210303
1.20 [500]	10210304
1.20 [600]	10210307
1.40 [3030]	10210309
1.40 [3030]	10210310

4200 A EPA

Lower air consumption than conventional spray guns

Stainless steel nozzle, needle and paint packing nut.

Extremely high finish quality.

VERSION	CODE
1.00 [380]	10250701
1.20 [380]	10250702

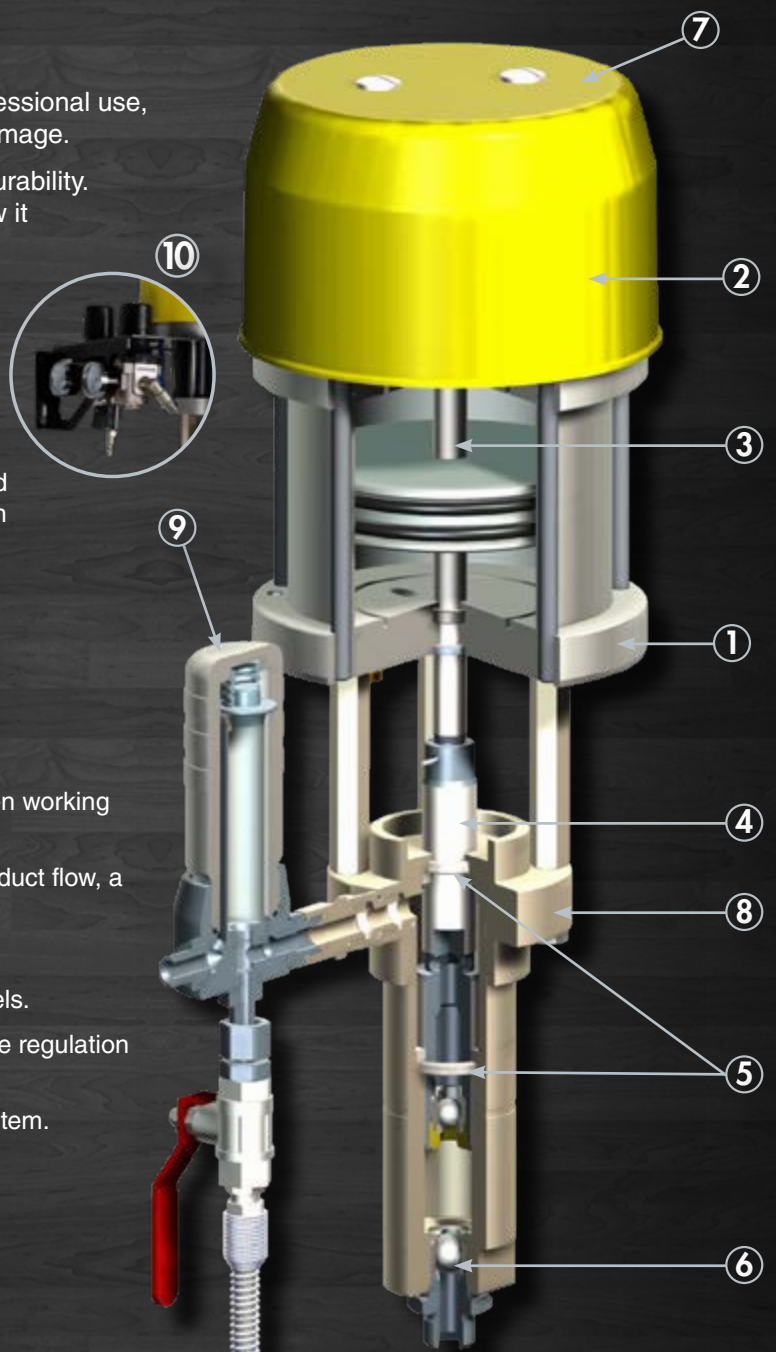


SAGOLA introduces its new range of professional line of Airless / Mix / Low Pressure Equipment.

This line, exclusively designed and manufactured for professional use, gathers high standards both in term of performance and image.

Within the quality standards we focus on simplicity and durability. Thus, we have redesigned completely the hydraulics. Now it contributes to a long-lasting life even in the worst working conditions and without waiving on its performance.

- ① **PNEUMATIC BODY ANODIZED FORGED ALUMINIUM.**
Highly resistant to corrosion.
- ② **OVERSIZED PNEUMATIC CONTROL AREA.** To avoid freezing problems and maintain a smooth functioning without any loss of performance.
- ③ **PNEUMATIC AREA SHAFT. GROUND AND CHROMIUM-PLATED.**
- ④ **PRODUCT AREA SHAFTS TEMPERED AND CHROMIUM-PLATED.**
Great durability and wearing resistance.
- ⑤ **ALL PACKINGS HAVE BEEN REDESIGNED.**
They offer great durability and smooth-functioning, even working at low pressure.
- ⑥ **NEW OVERSIZED VALVES.** They provide a better product flow, a lower product flow-speed and therefore, a lower wear.
- ⑦ **COMPACT DESIGN, STURDY and HIGH QUALITY.**
- ⑧ **FILTER BODY SERIAL ANTIPULSATION** on all models.
- ⑨ **REGULATORS: AIRLESS Equipment,** Pump pressure regulation system.
- ⑩ **MIX Equipment,** pump and atomization regulation system.



LOW PRESSURE RANGE

Certificate CE

 II 2 GX

The low pressure DM Range has been designed and manufactured focusing on the needs of several trades: from small metal, plastic and wood-working factories to the highest level industrial bodyshops. Ease-to use and low air consumption combined with the highest performance. Low maintenance cost. Ideal for high transfer spray guns HVLP & EPA.



DM 1/400

FREE
40L/min
FLOW

Full equipment

Twin Double Membrane Pump. This is a high production pump which can be used with several spray guns at once.

Clearcoats, dyes, clears, ceramics, basecoats and glues. Basecoats, primers and, in general, medium viscosity products.

VERSION	CODE
Full equipment*	30920499



DM 1/300

FREE
30L/min
FLOW

Full equipment

30 L. Double Diaphragm Pump.

Medium production. For finish and primers. High precision product regulator. Anti-pulsation system and double paint filter.

Lacquers, clearcoats, basecoats, enamels. Medium viscosity products.

VERSION	CODE
Full equipment*	30920599



*Full equipments (trolley and absorption), includes X 4100 series Pressure spray gun 1.20 [XT01 B] y 5 m. air and product hose (Ø 6mm. inside).

ACCESSORIES

Low pressure regulator

CODE
86464715



Anti-recoil filter DM 1/400

VERSION	CODE
100 mesh filter	83660029
60 mesh filter	83660030



DM 2K

FREE
40L/min
FLOW

High production Two-component

Twin Double Membrane Pump. Mixing ratio, 1:1. Prepared to work with medium viscosity products 2K. Antipulsation system and double product filter. Ideal for the application of polyesters and acrylics.

VERSION	CODE
Trolley and absorption	30920801



SAGOLA 
an Elcometer company

**DOUBLE
MEMBRANE PUMP**



RAIDER 300

FREE
1.26 L/min
FLOW

Full equipment MIX AIRLESS

This line, exclusively designed and manufactured for professional use, gathers high standards both in term of performance and image.

Within the quality standards we focus on simplicity and durability.

Thus, we have redesigned completely the hydraulics.

Now it contributes to a long-lasting life even in the worst working conditions and without waiving on its performance.



VERSION	CODE
Full mix equipment*	30951698
Full airless equipment**	30951699

MACK 150

FREE
1.8 L/min
FLOW

Full equipment MIX AIRLESS

High production. Ideal for high quality finishes, easy to use and highly robust.

Reduced system maintenance and self-adjusting packing.

Varnishes and waterborne paints, lacquers, basecoats and primers, enamels and antioxidants.

VERSION	CODE
Full mix equipment*	30931999



*The full MIX equipments (trolley and absorption), includes Mini Xtreme Mix spray gun and 5 m. air and product hose.

**The full AIRLESS equipments (trolley and absorption), includes PSAM 104 spray gun, swivel cap, swivel head and 10 m. product hose (security).



TROLLEY AND DEPOSIT OPTION

CONSULT



MACK 320

Full equipment MIX AIRLESS

Pneumatic pump for high speed and production. Easy to use and highly robust.

Reduced maintenance and self-adjusting packing system.

Clearcoats, lacquers, fillers, primers, enamels, antioxidants, synthetic paints. Suitable for waterbase products.

VERSION	CODE
Full mix equipment*	30932099
Full airless equipment**	30932098



FREE
2.7 L/min
FLOW

MIX AND AIRLESS RANGE

The RAIDER & MACK professional equipments in its Airless and Mixed versions has been designed and manufactured focusing on the needs of small and medium metal and wood working factories. High robustness. we focus on simplicity and durability. Easy-to-use and very low air-consumption. Low maintenance cost and self-adjustable packing system.

HTV 250

Full equipment MIXTO AIRLESS

Designed and manufactured for professional use, the HTV 250 offers excellent performance both in terms of features and design.

The hydraulic components were redesigned for highest level of quality focused on technology and durability. The bellows system provides long-lasting durability with minimum maintenance even for highly demanding materials.

GENERAL APPLICATIONS: Clearcoats and waterborne paints, lacquers, enamels, fonds, light primers,...

VERSION	CODE
Full mix equipment*	30931899

VERTICAL BELLOWS

*NEW BELLOWS system.
Completely eliminates packing gland leaks. Multiplies X5 the life of your conventional equipment. It requires no lubrication in the shaft area.*



FREE
2.8 L/min
FLOW

HT 10 / 15 / 25

Full equipment MIX AIRLESS
Bellows pump
Recommended for automatic paint lines
Continuous production
Ideal for UV products

The HT range has been designed and manufactured focusing on the needs of medium factories.

Ideal for automatic installations.

Suitable for several manual spray guns.

Long life and low maintenance.

Bellows systems (without gaskets).

Continuous production.

GENERAL APPLICATIONS: Clearcoats, lacquers, enamels, fonds, primers, ultraviolets...



HT10 VERSION	CODE
Trolley and absorption	30951901
Wall and absorption	30951902
Full equipment*	30951999

HT15 VERSION	CODE
Trolley and absorption	30952001
Wall and absorption	30952002
Full equipment*	30952099

HT25 VERSION	CODE
Trolley and absorption	30952301
Wall and absorption	30952302
Full equipment*	30952399

Recommended automatic spray guns:
V7 Mix, 4041 Mix

MADE IN
SPAIN

SAGOLA 
an Elcometer company

MIX & AIRLESS
PUMPS



**deposit
10 liters
capacity**

6110 INOX

**Full equipment
10 L capacity
Made of
stainless steel**

Offers the maximum durability due to the stainless steel body and lid.

Double, high precision, robust regulators with anti-return valve.

Valid for waterborne and solvent-based paints.



6110 CoINOX

**Special for adhesives.
10 L capacity
Recommended for
SAGOLA adhesive guns**

The 6110 has a special version for bead application of adhesives which differs from its predecessor in the greater pressure it can handle (up to 7 bar), in addition to the absence of the agitator and the single regulator.



**Full equipment includes 6110 Inox pressure pot, X 4100 series Pressure 1.20 [XT01 B] and 5 m. air and product hose.*

VERSION	CODE
6110 Co INOX pot	10550202

VERSION	CODE
6110 INOX pot	10540702
Full equipment*	10540799

610

**Full equipment
Double regulation
Valid for solvent-based
paints**

Steel body and aluminium lid.

10 litres deposit capacity.

Top outlet. Valid for medium-low viscosity paints.

Solvent-based paints.



***Full equipment includes 610 pressure pot, 3300 GTO Pressure 1.40 EPA and 5 m. air and product hose.*

VERSION	CODE
610 pot	40000273
Full equipment**	10540798



Anti-static compressed air hoses 8x15 mm. F/F 1/4"

Ideal for painting in the booth. Light, flexible and manageable. Twist-free. High security couplings with trigger mechanism which stands up to high booth temperatures. Avoids the use of flanges and that these could loosen or cause leaks due to dilation.



Aerographic product hoses 8x15 mm. F/F 3/8"

Waterborne and Solvent Anti-static product Hose. Light, flexible and manageable. Twist-free.



VERSION	CODE
6 meters	56414024
11 meters	56414025
16 meters	56414027

VERSION	CODE
6 meters	56414116
11 meters	56414117
16 meters	56414115

Double hose (air/product) set Aerographic hoses

VERSION	CODE
5 m. hose set (6 mm. + 8 mm.) HVLP	86463818
10 m. hose set (6 mm. + 8 mm.)	86463819
10 m. hose set (air 8 mm. + product 10 mm.) Adhesives	86463891
5 m. hose set (air 8 mm. + product 3 mm.) Dyes	86463894



Double hose (air/product) set / cover Aerographic hoses for low pressure equipments Air hose 8x15 mm. / Product hose 6x8 mm.

VERSION	CODE
5 m. Product hose + air hose set + cover	56414039
7.5 m. Product hose + air hose set + cover	56414044
10 m. Product hose + air hose set + cover	56414040
15 m. Product hose + air hose set + cover	56414041
20 m. Product hose + air hose set + cover	56414042

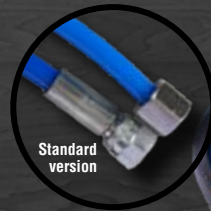
Light flexible hose. With protective Nylon cover of high resistance to friction and abrasion.



Double hose (air/product) set / cover for mix pumps

STANDARD VERSION	CODE
5 m. Product hose 3/16" + air hose 10 mm. set + cover	86463804
7 m. Product hose 3/16" + air hose 10 mm. set + cover	86463869
10 m. Product hose 3/16" + air hose 10 mm. set + cover	86463805
15 m. Product hose 3/16" + air hose 10 mm. set + cover	86463806

X VERSION	CODE
7 m. Product hose 3/16" + air hose 8 mm. set + cover	56414036
11 m. Product hose 3/16" + air hose 8 mm. set + cover	56414037



(Polyurethane) PU Hose spiral Extension hose

Highly flexible and torsion resistant. Hose 1/4" M / 5 x 9.5 mm Couplings 1/4" M Sprung terminals Internal diameter 6.5 mm



VERSION	CODE	LENGHT
Box (30 units)	40000266	7 m.
1 piece	52450022	7 m.
Box (25 units)	40000267	10 m.
1 piece	52450023	10 m.

Hose Roll 100 meters

8x15 air hose in 100 metre rolls. Thermal cork hose with exterior polyester reinforcement. Compact with excellent performance and oil resistance. Multi-use hose.



VERSION	CODE
100 m. hose roll	52450008

Quick coupling New range

The new range of plugs Sagola presents cutting-edge design. Sagola offers a wide range that gives cover 100% of market requirements.

VERSION	CODE
BSPT 1/4"	11010531
BSPT 1/4"	11010431
barb. 8 mm.	11010629

Ultra-light range



VERSION	CODE
BSPT 1/4"	11010524
BSPT 3/8"	11010525
BSPT 1/2"	11010526



VERSION	CODE
BSPP 1/4"	11010424
BSPP 3/8"	11010425
BSPP 1/2"	11010426



VERSION	CODE
barb. 8 mm.	11010424
barb. 10 mm.	11010425



4120 PLUS

CODE
10730502

Air purifying filter

Effective solution for compressed air filtration in professional paint booths for: car refinish, wood, machinery, plastics and industry in general. Highly reliable air regulation system. Manufactured from a solid aluminum block.

It eliminates air, oil and particles. Friction and centrifugal filtration.

Automatic drain of condensed liquids. High air flow. High quality manometer.



4220 PLUS

CODE
10750402

Air purifying filter Coalescent filter

Two stage air filter. Maximum filtering level. Recommended for last generation finishes. Waterborne paints, HS clearcoats and enamels, high gloss lacquers. Highly reliable air regulation system. Manufactured from a solid aluminum block.

1st stage: water, oil and particles filtering. 2nd stage: submicronic filtering. 0.01 microns. Automatic drain of condensed liquids. High air flow. High quality manometer.



430 PLUS

VERSION	CODE
1/2"	10740501
3/8"	10740502
1/4"	10740503

Air flow micro-regulator

High pressure regulator. Small, sturdy, reliable and durable. Diaphragm regulation system from 0 to 10 bars. High quality 10 bar manometer.



437 PLUS

VERSION	CODE
1/2"	10710301
3/8"	10710302
1/4"	10710303

Lubricator

Safe functioning from 3 L/min. Minimum flow restriction. All inlet and outlet sizes available. Oil level checking window. "Drop-by-drop" manual regulation system. Minimum maintenance.



439 PLUS

VERSION	CODE
1/2"	10720401
3/8"	10720402
1/4"	10720403

Air purifying filter

High flow filter for its insertion in air lines. Transparent liquid residue check window. Semi-automatic drain. Adaptable to any installation.



970 PLUS

VERSION	CODE
1/2"	10750301
3/8"	10750302
1/4"	10750303

Filter regulator & Lubricator

Accurate control of the oil supply thanks to its manual drop-by-drop regulator. No pressure loss due to the "in-line" design. Maximum reliability and productivity in the minimum space.

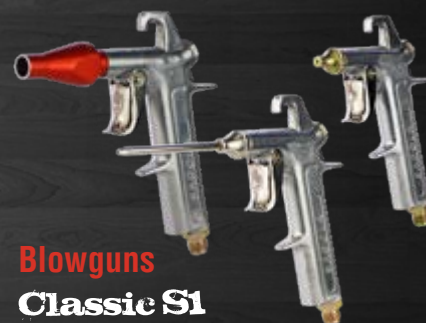


479 PLUS

VERSION	CODE
1/2"	10730401
3/8"	10730402
1/4"	10730403

Filter regulator

The most compact solution for the small workshops, industry or priming and preparation areas. High air flow. High quality pressure gauge. Highly reliable regulation system. Adjustable to any hose size.



Blowguns Classic S1

Blowgun made of aluminium. Robust and light.

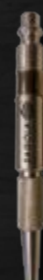
VERSION	CODE
Classic S1 Metallic	20340601
Classic S1 Extension	20340604
Classic S1 Venturi*	20340605

* Venturi system. X4 multiplied air flow.

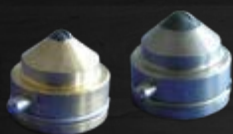
Pocket blower

Pocket clip. Adjustable flow. Quick disconnect connector.

CODE
40000336



Mix aircaps (TIPS)



VERSION	NOZZLE (inch/mm)	CODE
09/25 Standard - Extra Finish	0.009" / 0.23	81460518
09/40 Standard - Extra Finish	0.009" / 0.23	81460519
11/40 Standard - Extra Finish	0.011" / 0.28	81460529
11/65 Standard - Extra Finish	0.011" / 0.28	81460531
13/40 Standard - Extra Finish	0.013" / 0.33	81460540
13/65 Standard - Extra Finish	0.013" / 0.33	81460542
13/80 Standard - Extra Finish	0.013" / 0.33	81460543
15/25 Standard - Extra Finish	0.015" / 0.38	81460549
15/40 Standard - Extra Finish	0.015" / 0.38	81460550
15/50 Standard - Extra Finish	0.015" / 0.38	81460551
15/65 Standard - Extra Finish	0.015" / 0.38	81460552
15/80 Standard - Extra Finish	0.015" / 0.38	81460553
18/40 Standard - Extra Finish	0.018" / 0.46	81460575
18/65 Standard - Extra Finish	0.018" / 0.46	81460577
21/40 Standard - Extra Finish	0.021" / 0.53	81460590
21/80 Standard - Extra Finish	0.021" / 0.53	81460593

Others available nozzle and angles, consult.

Fixed Airless tips



VERSION	NOZZLE (inch/mm)	SPRAYGUN FILTER	CODE
09/25 Fixed	0.009" / 0.23	●	81460641
09/40 Fixed	0.009" / 0.23	●	81460642
09/65 Fixed	0.009" / 0.23	●	81460644
11/40 Fixed	0.011" / 0.28	●	81460650
11/65 Fixed	0.011" / 0.28	●	81460653
13/25 Fixed	0.013" / 0.33	●	81460661
13/40 Fixed	0.013" / 0.33	●	81460662
13/65 Fixed	0.013" / 0.33	●	81460665
13/80 Fixed	0.013" / 0.33	●	81460666
15/25 Fixed	0.015" / 0.38	●	81460672
15/40 Fixed	0.015" / 0.38	●	81460673
15/50 Fixed	0.015" / 0.38	●	81460674
15/65 Fixed	0.015" / 0.38	●	81460675
15/80 Fixed	0.015" / 0.38	●	81460676
17/100 Fixed	0.017" / 0.43	●	81460627
18/40 Fixed	0.018" / 0.46	●	81460698
18/65 Fixed	0.018" / 0.46	●	81460701
21/40 Fixed	0.021" / 0.53	●	81460714

Others available nozzle and angles, consult.

Swivel head

For setting up the airless swivel caps. PSAM 107/104

CODE
81461101

Anti-recoil filters

VERSION	CODE
100-mesh filter DM/400	83660029
60-mesh filter DM/400	83660030
100-mesh filter mix/airless	83660009
60-mesh filter mix/airless	83660010

Extensions

VERSION	CODE
300 mm. Airless extension	83660029
500 mm. Airless extension	83660030
1,000 mm. Airless extension	83660009
150 mm. 45° Airless extension	83660010

Spray gun filters



VERSION	CODE
Filter holder Kit (1/4-3/8) + Mesh filter	56418057
Kit of 10 100-mesh spray gun filters	56418053
Kit of 10 60-mesh spray gun filters	56418054
Mix filter 100 layers	83660037
White airless 10 filters kit	● 30010008
Yellow airless 10 filters kit	● 30010009
Red airless 10 filters kit	● 30010010
100 sheet filter kit	86463004
Tip mix 10 micro-filters Kit	30010015

Absorption filters



VERSION	CODE
100-mesh circular filter	56418055
Special absorption filter for narrow pass	83660047

Swivel Airless caps



VERSION	NOZZLE (inch/mm)	SPRAYGUN FILTER	CODE
09/20 swivel Sd V	0.009" / 0.23	●	81461105
09/40 swivel Sd V	0.009" / 0.23	●	81461106
11/20 swivel Sd V	0.011" / 0.28	●	81461108
11/40 swivel Sd V	0.011" / 0.28	●	81461109
13/20 swivel Sd V	0.013" / 0.33	●	81461111
13/40 swivel Sd V	0.013" / 0.33	●	81461112
15/20 swivel Sd V	0.015" / 0.38	●	81461115
15/40 swivel Sd V	0.015" / 0.38	●	81461116
16/40 swivel Sd V	0.016" / 0.41	●	81461120
17/40 swivel Sd V	0.017" / 0.43	●	81461124
17/60 swivel Sd V	0.017" / 0.43	●	81461125
18/40 swivel Sd V	0.018" / 0.46	●	81461128
18/60 swivel Sd V	0.018" / 0.46	●	81461129
19/40 swivel Sd V	0.019" / 0.48	●	81461133
21/40 swivel Sd V	0.021" / 0.53	●	81461138
23/40 swivel Sd V	0.023" / 0.58	●	81461143
25/40 swivel Sd V	0.025" / 0.63	●	81461148
25/60 swivel Sd V	0.025" / 0.63	●	81461149
31/60 swivel Sd V	0.031" / 0.78	●	81461164

Flow regulators with pressure gauge



RC1

CODE
56418020

Aluminium, very light. Ideal for high transfer HVLP and EPA spray guns.



RC2

CODE
40000335

Exact input pressure gun. High quality gauge green scale for high transfer guns.

Cleaning

Cleanliness needles. (12 pcs.)

CODE
30010207

Cleaning kit

Complete cleaning set, including one brush for the outside cleaning, and rods of different sizes for all the inner paths of the spray gun. Supplied in a practical show case.

CODE
40000086

Lubricant grease

It helps to prevent a premature wear of moving parts, offering at the same time a smooth and precise performance during the gun life.

CODE
56418589

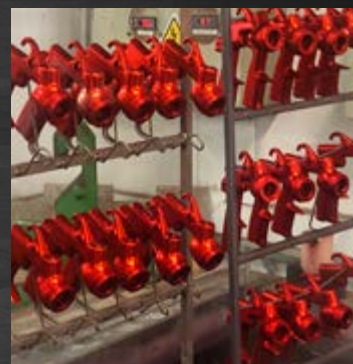
REMEMBER, always use original SAGOLA

spare parts in order to guarantee the proper operation of your painting equipment.

SAGOLA 
an Elcometer company

ACCESSORIES

Manufacturing...



Download our catalogues at
www.sagola.com

Find more details and products
in our website.



SAGOLA 
an Elcometer company

SAGOLA S.A.U.
Urartea, 6 · 01010
Vitoria-Gasteiz (Álava) SPAIN
Tel.: (+34) 945 214 150
Fax: (+34) 945 214 147
sagola@sagola.com
www.sagola.com



Follow us 

We refuse any responsibility for misprints in the technical specifications or images shown in this brochure.